

# PROTECTIVE COVER AMTRON FOR STAINLESS STEEL COLUMN



MENNEKES protective covers AMTRON are designed for private and semi-public use

Nicht für den AMTRON Compact geeignet

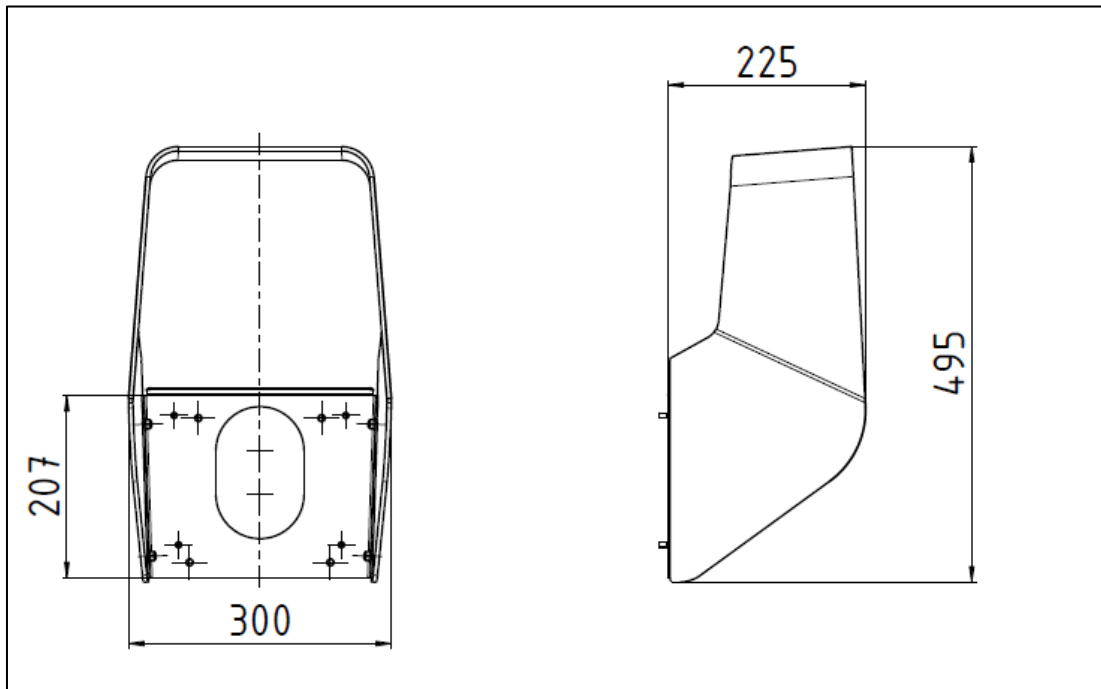
## Technical data

<b>Part number</b>	<b>18559</b>
Item description	Protective cover AMTRON for stainless steel column*
Dimensions H x W x D	495 x 300 x 240 mm
Weight	about 9 kg
Material	AISI 304

<b>Connection</b>	
Setting up	Fastening to MENNEKES stainless steel column : 18558 & 18566

\*Delivery without AMTRON charging system and stainless steel column

## Dimensions [mm]



**Distributed in the UK exclusively by:**

**Drivenergy Ltd  
The Innovation Centre  
Trevenson Road  
Pool  
REDRUTH TR15 3PL**

**Phone: 0800 242743  
info@drivenergy.uk**

**www.drivenergy.uk**

**MENNEKES**

Elektrotechnik GmbH & Co. KG

Aloys-Mennekes-Straße 1  
57399 KIRCHHUNDEM  
GERMANY

Phone: + 49 2723 41-1

Fax: + 49 2723 41-214

info@MENNEKES.de

**www.MENNEKES.de**

[www.chargeupyourday.de](http://www.chargeupyourday.de)