

---

# CHARGING STATION PREMIUM, SMART

CHARGING STATION FOR ELECTRIC VEHICLES



MENNEKES charging stations are designed for public use

# Variants

	Ocpp modem
Thermal management und socket heating	Thermal management und socket heating
Personal and line protection	Personal and line protection
BKE for eHZ and smart meter (eHZ)	BKE for eHZ and smart meter (eHZ)
Auto switch	Auto switch
Load management with ACU	Load management with ACU
RFID-Reader	RFID-Reader
Text display	Text display

## Premium

## Smart

### Charging socket type 2 (version „T2“)

	Order no.		Order no.
<b>22 kW</b>	313610 1313610SI 1313610SW	<b>22 kW</b>	319610 1319610SI 1319610SW



### Charging socket type 2 and SCHUKO (version „S“)

	Order no.		Order no.
<b>22 kW</b>	313611 1313611SI 1313611SW	<b>22 kW</b>	319611 1319611SI 1319611SW

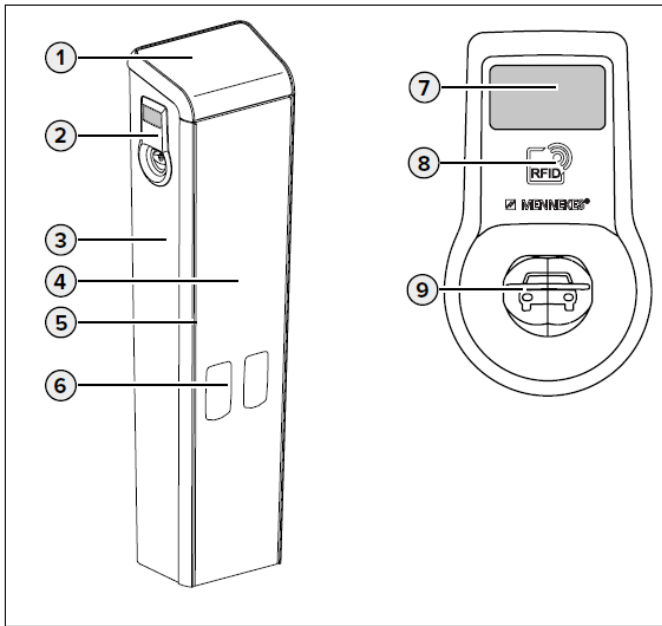


# Product features

- Charging mode 3 acc. to IEC 61851
- Vehicle connectors and charging socket acc. to IEC 62196
- In conformity with verification legislation according to type-examination certificate DE-17-M-PTB-0064
- Charging capacity up to 22kW
- Versions:
  - Charging socket type 2
  - Charging socket type 2 and SCHUKO®
- Auto-switch function for automatic switching between 16 A and 32 A charging cables
- Operation with MENNEKES eMobility Gateway and an OCPP backend system (e.g. [www.chargecloud.de](http://www.chargecloud.de)) (only for Smart variants)
- Status information by text display
- Heating charging socket type 2
- Integrated MCB's and RCD's
- Terminals for the purpose of connecting additional charging systems via RS485 bus
- Unlocking function in case of grid failure (only for devices with charging socket type 2)
- Charging column with temperature controlled ventilation system
- Ready wired for installation (Plug & Play)
- Enclosure made of sheet steel, galvanised, primed and powder-coated

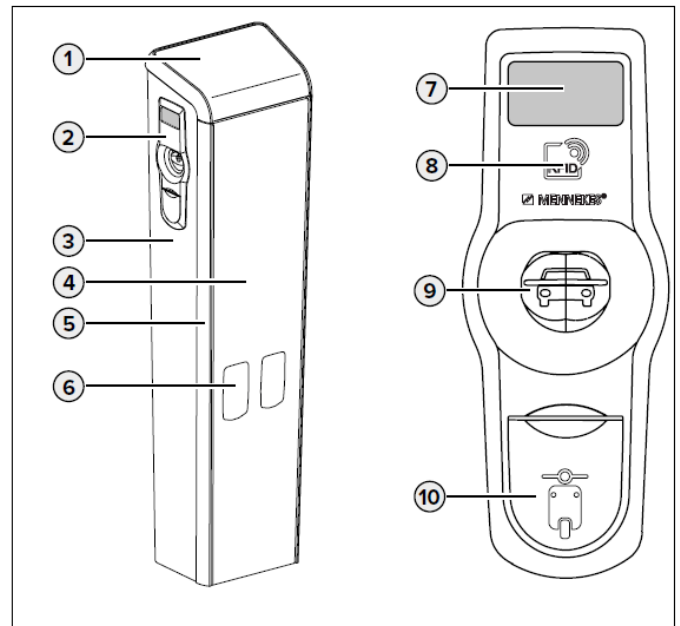
# Assembly

## Premium, Smart



1. Cover panel
2. Socket panel (2x)
3. Base enclosure
4. Base enclosure
5. Profil strips
6. Counter window
7. Text display
8. RFID-Reader
9. Charging socket (mode 3)

## Premium, Smart S



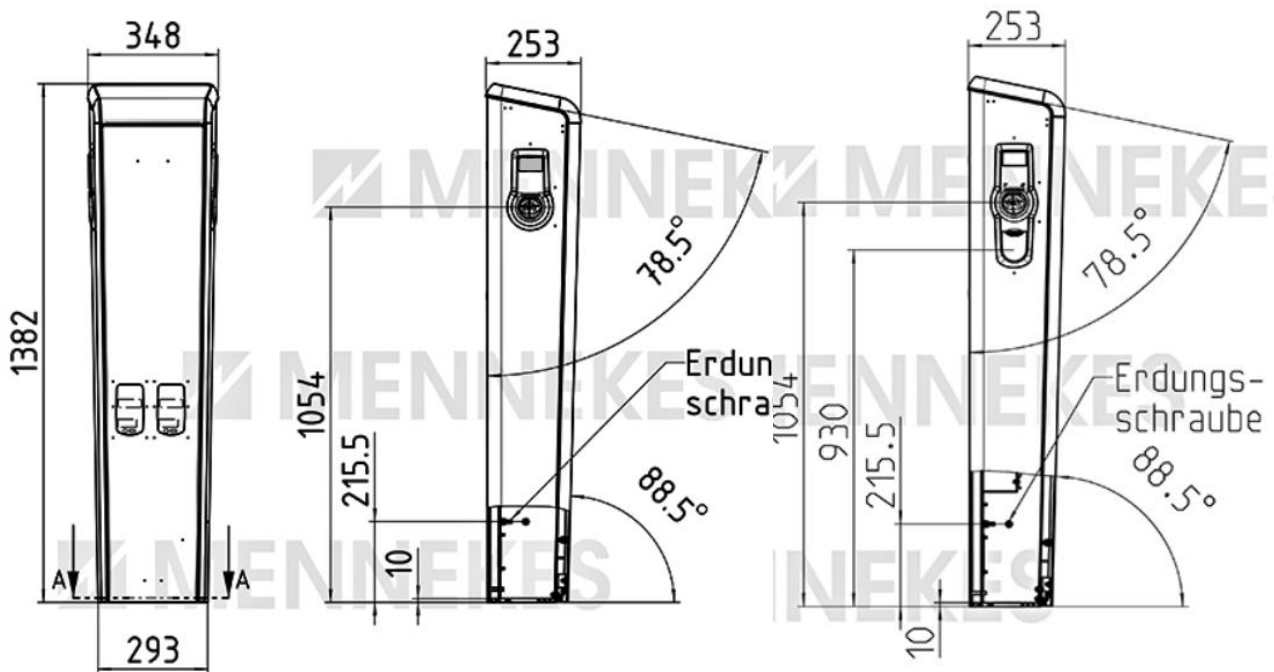
1. Cover panel
2. Socket panel (2x)
3. Base enclosure
4. Base enclosure
5. Profil strips
6. Counter window
7. Text display
8. RFID-Reader
9. Charging socket (mode 3)
10. SCHUKO® charging socket (mode 1)

# Technical data

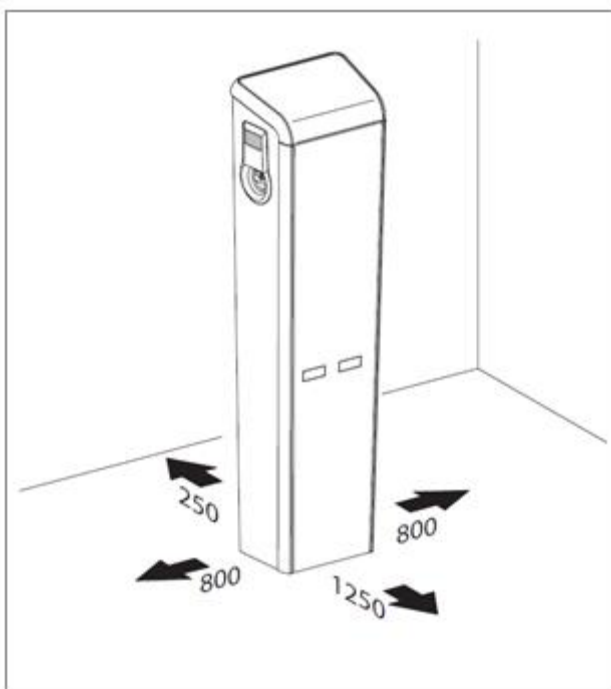
Type-dependent data		Smart S22	Smart 22	Premium S22	Premium22
Rated voltage $U_N$ [V] AC $\pm 10\%$		400			
Rated frequency $f_N$ [Hz]		50			
Rated Current $I_{nA}$ [A]		63			
Max. back-up fuse [A]		100			
Max. charging capacity mode 3 [kW]		2 x 22			
Rated current of charging point mode 3 $I_{nC}$ [A]		32A - 3ph			
Max. charging capacity mode 1 [kW]		2 x 3		2 x 3	
Rated current of charging point mode 1 $I_{nC}$ [A]		13- 1ph		13- 1ph	
Terminal strip supply line	Nominal cross section	5 x 2 x 50 mm <sup>2</sup> , only for copper wires			
	Terminal area	rigid 0,75....50 mm <sup>2</sup> flexible 0,75....35 mm <sup>2</sup>			
	Tightening torque	3,2....3,7 Nm			
Terminal strip RS485-Bus	Nominal cross section	2x2 terminal points and 2 shield contacts for shielded twisted-pair cables.			
	Terminal area	rigid 0,08....6 mm <sup>2</sup> flexible 0,08....4 mm <sup>2</sup>			
Rated insulation voltage $U_i$ [V]		500			
Rated impulse withstand voltage $U_{imp}$ [kV]		4			
Rated conditional short-circuit current $I_{cc}$ [kA]		10			
Rated diversity factor RDF		1			
Earth system		TN / TT			
EMC classification		A / B			
Protection class		I			
Degree of protection		IP 44			
Overvoltage category		III			
Resistance to mechanical impact		IK 10			
Pollution degree		3			
Setting up		Outdoor			
Condition of installation		Stationary			
Usage		ACSEV			
Mounting method		Floor-mounted			
Dimensions H x W x D [mm]		1382 x 348 x 253			
Weight [kg]		73			
Standard		IEC 61851, DIN IEC / TS 61439-7			

Environmental conditions	
Ambient temperature	-25....+40 °C
Average temperature within 24 hours	< 35 °C
Relative humidity	Max. 95 % (non-condensing)

## Dimensions [mm]



## Mounting distance [mm]



# References



Company car parc Schulz-Systemtechnik



Parking space Hamburg



Airport Düsseldorf

MENNEKES  
Elektrotechnik GmbH & Co. KG

Aloys-Mennekes-Straße 1  
57399 KIRCHHUNDEM  
GERMANY

Phone: + 49 2723 41-1  
Fax: + 49 2723 41-214  
info@MENNEKES.de  
www.MENNEKES.com

[www.chargeupyourday.com](http://www.chargeupyourday.com)