

eMOBILITY GATEWAY



MENNEKES eMobility Gateway is responsible for the intelligent networking of MENNEKES charging systems and for connection to backend systems.

Variants

OCCP modem

Load management with ACU

eMobility Gateway

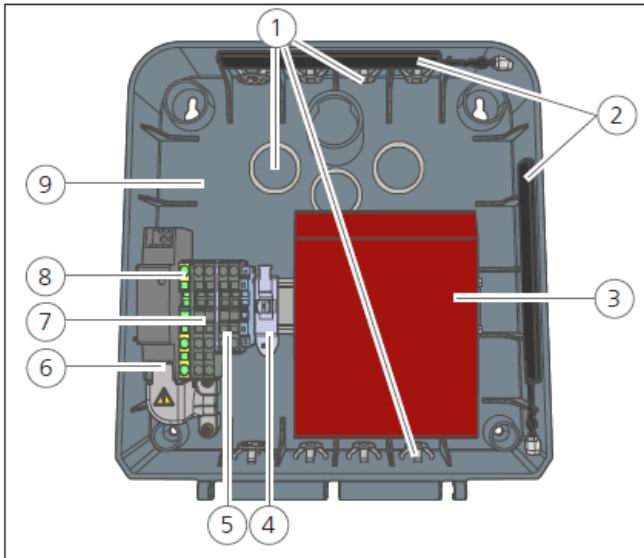
	Order no.
simultaneous locking	310561
varying locking	310551

Productfeatures

- Connection up to 16 charging points via RS485
- Communication to the backend via mobile network or LAN via OCPP (Open-Charge-Point-Protocol)
- 2 integrated LTE-antenna for optimal communication
- Connection terminals for bus participants (SCUs)
- For a combined connection of different MENNEKES charging systems (e.g. Premium ground- or wall- mounted charging stations, Amtron® Premium)
- Integrated Load-Management
 - Distribution of the maximum available charging current
 - Ensure adequate supply of connected vehicles (minimum charging current)
 - Avoid expensive power peaks
 - Optional: Additional possibility to reduce the maximum connection current via an external input (only possible with the additional exchange-set).
- Mounting material and cable entries enclosed
- Robust and lockable enclosure für stationary mounting in indoor and outdoor areas

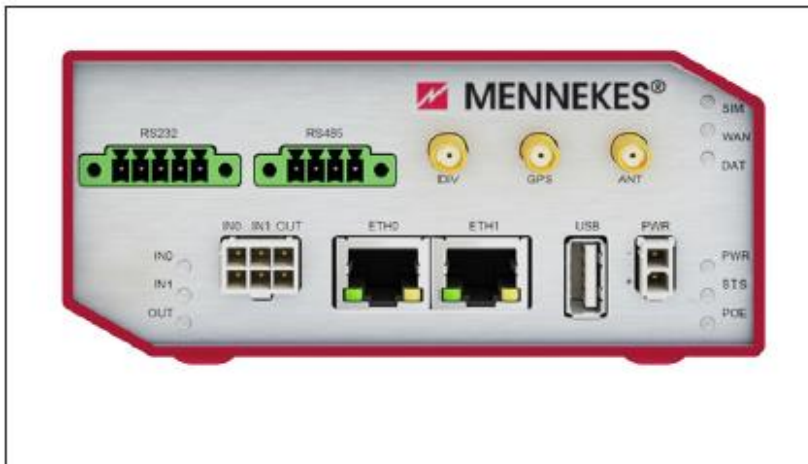
Assembly

Layout Gateway



1. Cable entries
2. Antennas
3. ACU V4
4. Screen terminal
5. Bus terminals
6. Mains connection
7. Clamp 1 and 2 for RS485-Bus
8. Clamp for protective conductor (PE)
9. Housing bottom part

Layout ACU



Connection:

- RS232: Bus
- RS485: Bus
- ETH0: LAN
- ETH1: LAN
- IN0/ IN1/ OUT: Downgrade-input

Anzeigen:

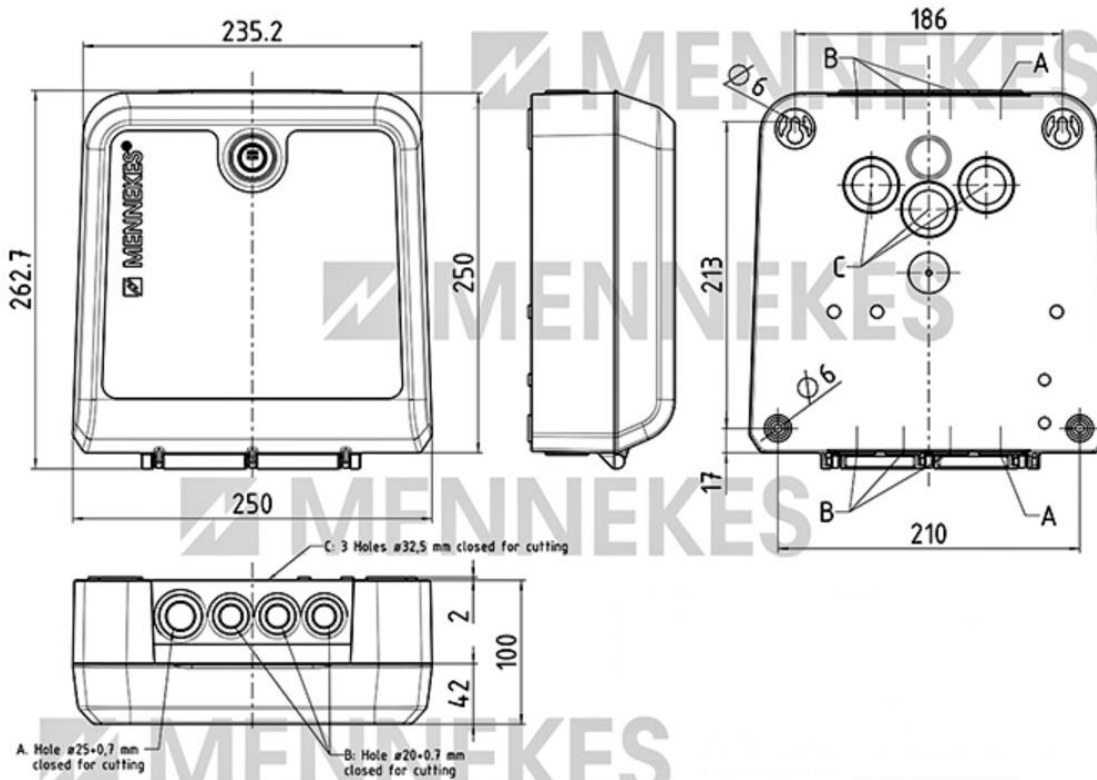
- SIM: GPRS status
- WAN: Internet connection
- DAT: Data transmission via antenna
- PWR: Power (operational)
- STS: Instrument status

Technical data

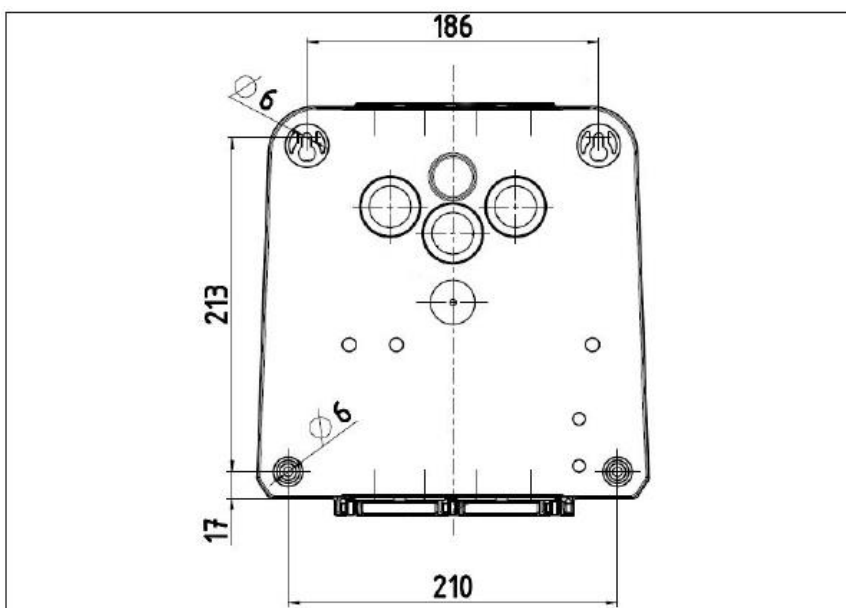
Type-dependent data	310551	310561
Locking enclosure	varying locking	simultaneous locking
Rated voltage U_N [V] AC \pm 10%	230	
Rated frequency f_N [Hz]	50	
Rated current I_{rA} [A]	0,5	
Maximum backup fuse [A]	6	
Earthing system	TN / TT	
Degree of protection	IP 54	
Protection class	II with functional earthing	
Pollution degree	3	
Dimension H x B x T [mm]	250 x 250 x 100	
Weight [kg]	1,7	
Condition of installation	Stationary equipment	
Mounting method	Wall mounted	
Maximum cable cross-section at the terminals	rigid max. 2,5 mm ² flexible max. 2,5 mm ²	
Terminal RS 485-Bus	rigid 0,08 - 6 mm ² flexible 0,08 - 4 mm ² (2 x 2 connection points and 2 shield connections)	

Environmental conditions	
Ambient air temperature	-25...+40 °C
Average temperature within 24 hours	< 35 °C
Storage temperature	-25...+40°C
Altitude	max. 2000m above sea level
Relative humidity	max. 95 % (non- condensing)

Dimensions [mm]



Mounting Distance [mm]



Distributed in the UK exclusively by:

**Drivenergy Ltd
The Innovation Centre
Trevenson Road
Pool
REDRUTH TR15 3PL**

**Phone: 0800 242743
info@drivenergy.uk**

www.drivenergy.uk

MENNEKES

Elektrotechnik GmbH & Co. KG

Aloys-Mennekes-Straße 1
57399 KIRCHHUNDEM
GERMANY

Phone: + 49 2723 41-1

Fax: + 49 2723 41-214

info@MENNEKES.de

www.MENNEKES.com

www.chargeupyourday.com