

AMTRON[®]

PROFESSIONAL+ (PnC)

WALLBOX FOR ELECTRIC VEHICLES



MENNEKES AMTRON[®] designed for private and semi-public use

Variants

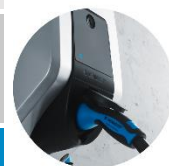
| | |
|--|--|
| | PLC communication acc. to ISO 15118 |
| 3G / 4G modem | 3G / 4G modem |
| MID energy meter | MID energy meter |
| RFID system | RFID system |
| Personal and line protection | Personal and line protection |
| DC leakage detection | DC leakage detection |
| LED status display Multifunction button | LED status display Multifunction button |

Professional+

Professional+ PnC (Plug & Charge)

Charging socket type 2 (version „T2“)

| | Order no. | | Order no. |
|-------------|-----------|-------------|-----------|
| 7,4 / 22 kW | 1366402 | 7,4 / 22 kW | 1367402 |



Permanently connected charging cable with connector type 2 (version „C2“)

| | Order no. | | Order no. |
|-------------|-----------|-------------|-----------|
| 7,4 / 22 kW | 1366202 | 7,4 / 22 kW | 1367202 |



Product features

- Overall
 - Mode 3 charging acc. to IEC 61851
 - Vehicle connectors and charging socket acc. to IEC 62196
 - Charging capacity up to 7,4 kW (1ph) / 22 kW (3ph)
 - MID certified energy meter
 - Unlocking function in case of grid failure (for devices with charging socket)
 - Status information through LED info bar
 - Integrated cable suspension
 - Ready wired for installation
 - Welding detection: Monitoring the load contactor: in case of error (adhesive load contactor) the charging point will be switched off for a safe isolation from supply.
- Authentication
 - Authorization via a backend system or RFID card
- Communication / Networking
 - Integrated wireless modem (Micro-SIM) for mobile radio standards 4G (LTE), 3G (UMTS) and 2G (GSM)
 - Powerline modem (PLC) for communication according to ISO 15118 (only for Plug & Charge variants)
 - Compatible with OCPP 1.5 and OCPP 1.6
- Personal, line and overvoltage protection
 - Integrated RCD (Type A) and MCB
 - DC leakage detection > 6mA
- Multifunction button
 - RCD-Test
 - Re-activating of RCD and MCB switch
- Enclosure
 - Enclosure made of AMELAN®
- Versions:
 - Type 2 socket
 - Permanently connected charging cable with connector type 2 (7,5m length)

Assembly

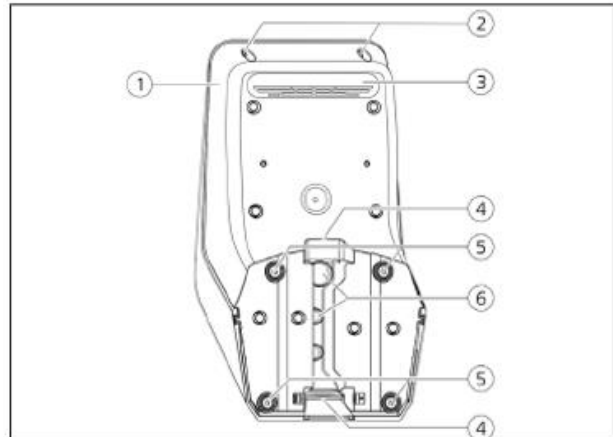
Front view



1. Multifunction button
2. LED info bar
3. Fastening screws for upper housing part
4. Upper enclosure section
5. Energy meter with inspection window
6. Front panel
7. RFID card reader
8. Charging socket type 2 ¹⁾
9. Pre-cut recess for supply cable /cable duct

¹⁾ Only for version „T2“

Rear view



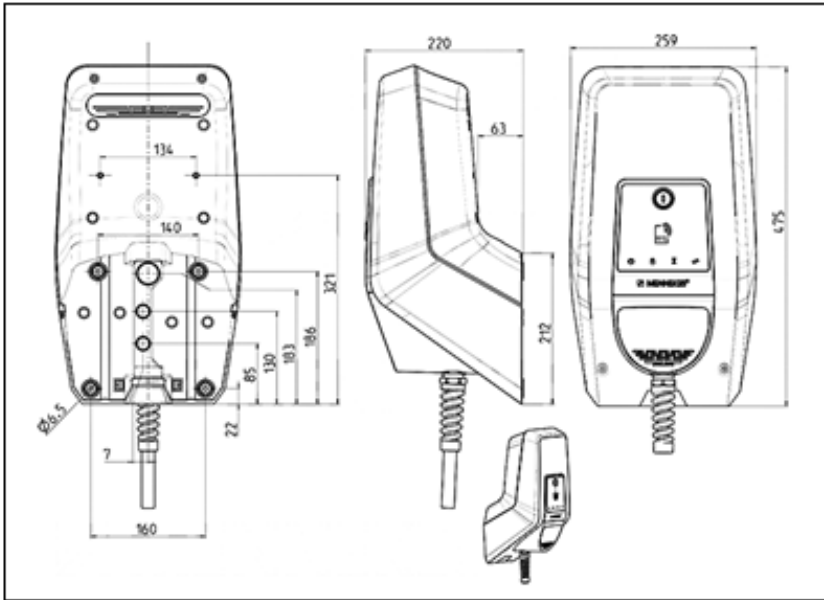
1. Base part
2. Fastening screws for upper housing part
3. Passive ventilation
4. Recess for supply line/ cable duct
5. Fastening holes
6. Cable entries

Technical data

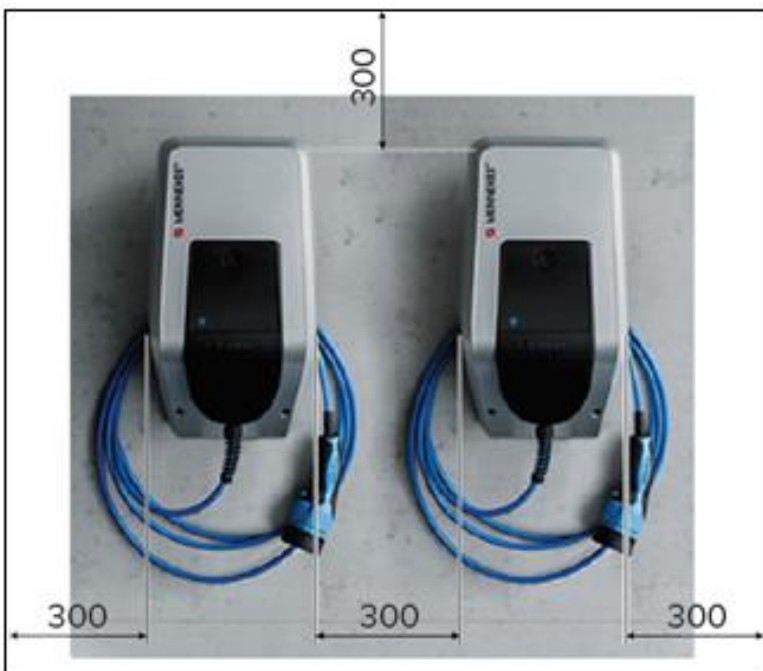
| Type-dependent data | | Professional+ (PnC) |
|---|-----------------------|---|
| Rated voltage U_N [V] AC $\pm 10\%$ | | 400 |
| Rated frequency f_N [Hz] | | 50 |
| Rated Current I_{nA} [A] | | 32 |
| Max back-up fuse [A] | | 100 |
| Max. charging capacity mode 3 [kW] | | 7,4 / 22 |
| Rated current of charging point mode 3 I_{nc} [A] | | 32 - 1 / 3ph |
| Terminal strip supply line | Nominal cross section | 10 mm ² |
| | Rated cross section | rigid 5 x 10 mm ² flexible 5 x 6 mm ² |
| | Tightening torque | max. 1,8 Nm |
| Rated insulation voltage U_i [V] | | 500 |
| Rated impulse withstand voltage U_{imp} [kV] | | 4 |
| Rated short circuit current I_{cc} [kA] | | 10 |
| Rated diversity factor RDF | | 1 |
| Earth system | | TN / TT (IT only permitted under certain conditions, see operating manual) |
| EMC classification | | A+B |
| Protection class | | II |
| Degree of protection | | IP 44 with Permanently attached charging cable IP 54 with Charging socket type 2 |
| Overvoltage category | | III |
| Resistance to mechanical impact | | IK 10 |
| Pollution degree | | 3 |
| Setting up | | Indoor or outdoor |
| Condition of installation | | Stationary equipment |
| Usage | | ACSEV |
| Mounting method | | Wall mounted |
| Dimensions H x W x D [mm] | | 475 x 259 x 220 |
| Weight [kg] | | 7 - 11 |
| Personal protection (RCD) | | 40/0,03A, 4P, type A |
| Line protection (MCB) | | 32A, 3P+N, characteristic C |
| Control fuse (MCB) | | 6A, 2P, characteristic B |
| Load contactor | | 45 A, 4P (3ph+N) |
| Standard | | DIN EN 61851-1, DIN IEC / TS 61439-7 |

| Environmental conditions | |
|-------------------------------------|----------------------------|
| Ambient air temperature | -25...+40 °C |
| Average temperature within 24 hours | < 35 °C |
| Altitude | Max. 2000m above sea level |
| Relative humidity | Max. 95 % (non-condensing) |

Dimensions [mm]



Mounting distance [mm]



MENNEKES

Elektrotechnik GmbH & Co. KG

Aloys-Mennekes-Straße 1
57399 KIRCHHUNDEM
GERMANY

Phone: + 49 2723 41-1

Fax: + 49 2723 41-214

info@MENNEKES.de

www.MENNEKES.de

www.chargeupyourday.de

STAINLESS STEEL COLUMN FOR AMTRON CHARGING SYSTEMS



MENNEKES stainless steel columns are designed for private and semi-public use

Not suitable for AMTRON Compact

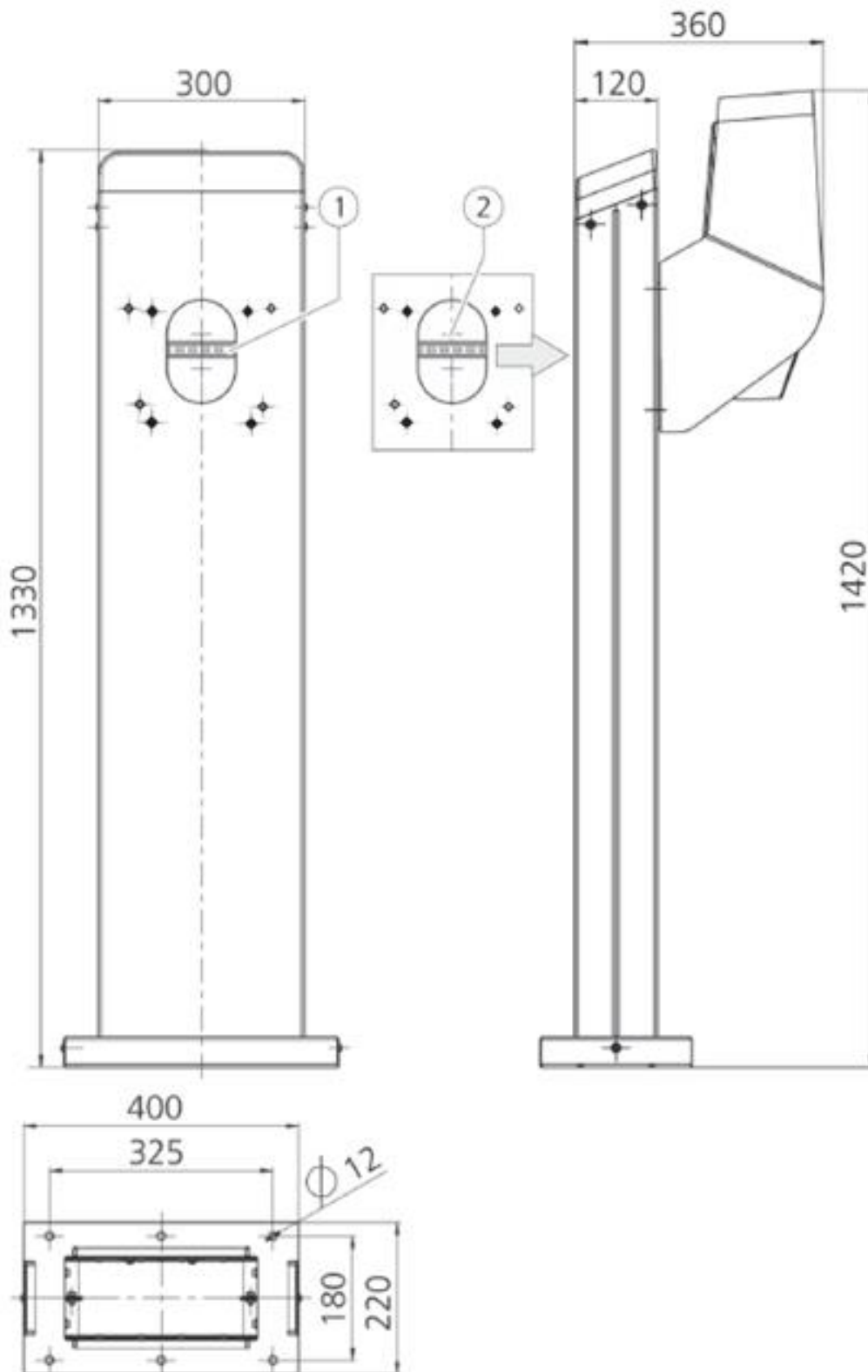
Technical data

| Part number | 18558 | 18566 |
|-----------------------|------------------------------------|---|
| Item description | Stainless steel column for AMTRON* | Stainless steel column for 2 pcs. AMTRON* |
| Dimensions column | 1330 x 300 x 120 mm | |
| Dimensions base plate | 400 x 220 mm | |
| Weight | about 26 kg | |
| Material | AISI 304 | |

| Mounting | |
|--------------|-------------------------------------|
| Setting up | For mounting base or ground mounted |
| Supply lines | Cable entry from the bottom |

*Delivery without AMTRON charging system

Dimensions [mm]



MENNEKES

Elektrotechnik GmbH & Co. KG

Aloys-Mennekes-Straße 1
57399 KIRCHHUNDEM
GERMANY

Phone: + 49 2723 41-1

Fax: + 49 2723 41-214

info@MENNEKES.de

www.MENNEKES.de

www.chargeupyourday.de

STAINLESS STEEL POLE FOR AMTRON CHARGING SYSTEMS



MENNEKES stainless steel poles are designed for private and semi-public use

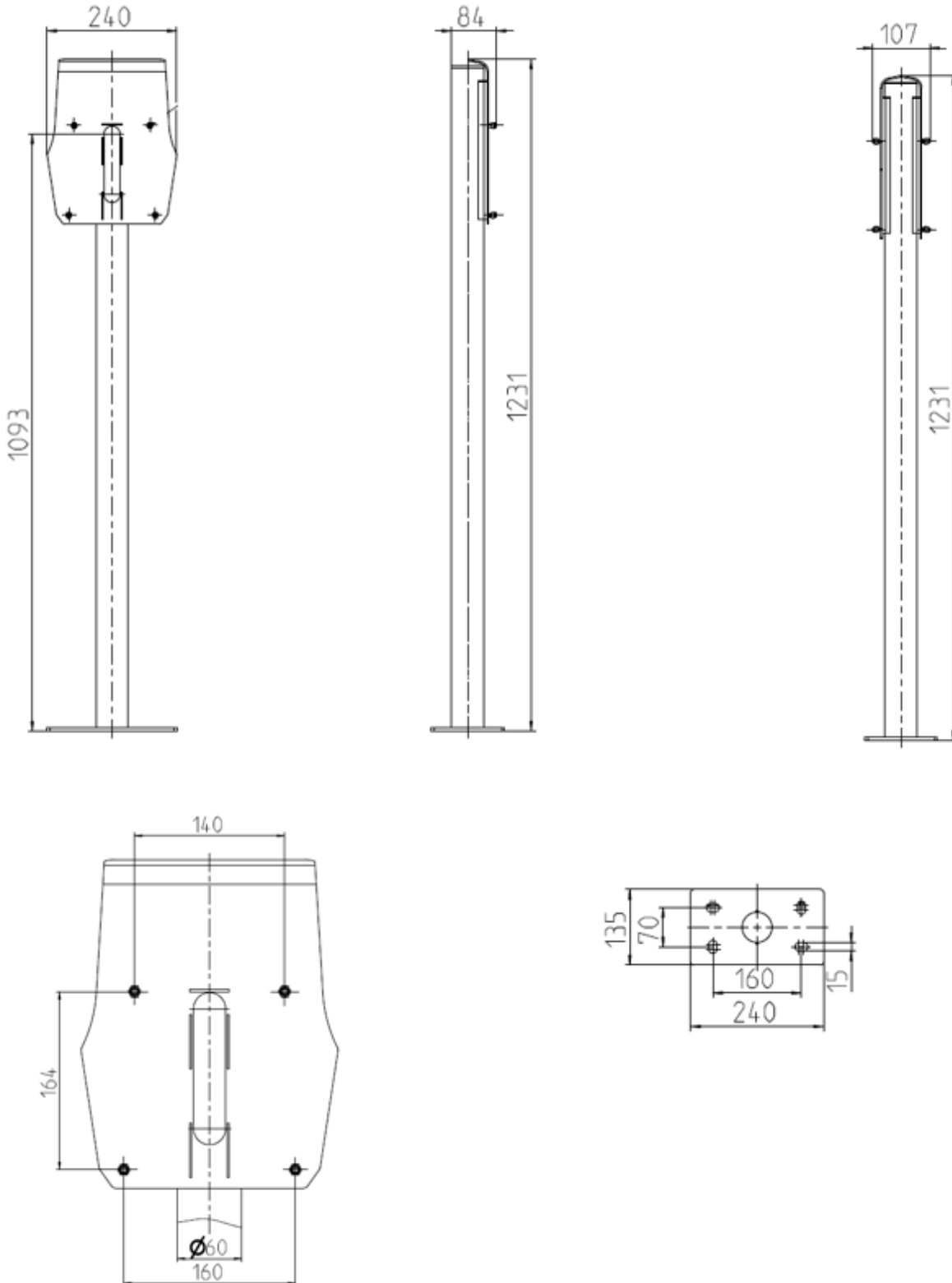
Not suitable for AMTRON Compact

Technical data

| Part number | 18592 | 18593 |
|------------------------------------|---------------------------------|-------------------------------------|
| Item description | Stainless steel pole for AMTRON | Stainless steel pole for two AMTRON |
| Dimensions pole (H x W x D) | 1231 x 240 x 84 mm | |
| Dimensions double pole (H x W x D) | 1231 x 240 x 107 mm | |
| Dimensions base plate (L x W) | 240 x 135 mm | |
| Weight | 7,8 kg | 9,5 kg |
| Material | V2A | |

| Mounting | |
|--------------|-------------------------------------|
| Setting up | For mounting base or ground mounted |
| Supply lines | Cable entry from the bottom |

Dimensions [mm]



MENNEKES

Elektrotechnik GmbH & Co. KG

Aloys-Mennekes-Straße 1
57399 KIRCHHUNDEM
GERMANY

Phone: + 49 2723 41-1

Fax: + 49 2723 41-214

info@MENNEKES.de

www.MENNEKES.de

www.chargeupyourday.de