

# AMTRON<sup>®</sup> COMPACT

WALLBOX FOR ELECTRIC VEHICLES

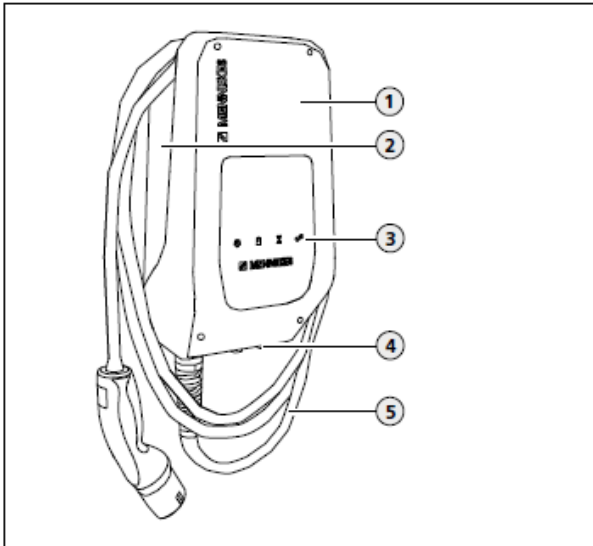


MENNEKES AMTRON<sup>®</sup> designed for private use

# Product features

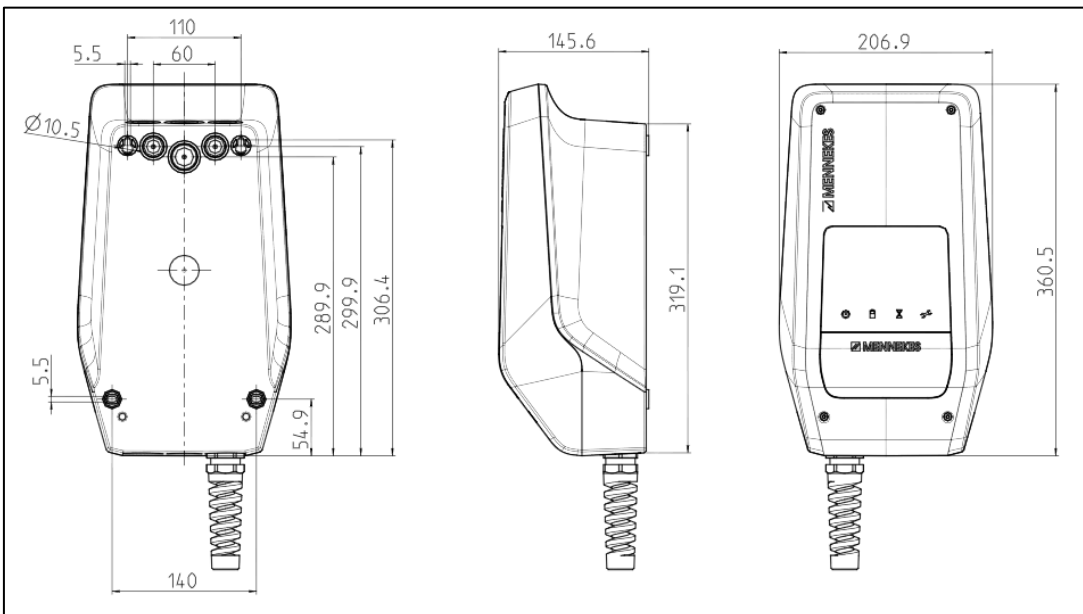
- Overall
  - Mode 3 charging acc. to IEC 61851
  - Vehicle connector acc. to IEC 62196
  - Permanently connected charging cable with type 2 connector (5 m length)
  - Charging power up to 3,7 kW (1ph) / 11 kW (3ph)
  - Status information through LED info bar
  - Integrated cable suspension
  - Ready wired for installation
- Functional range
  - Potential-free input for external authorization or for downgrading the charging power for simple load management (adjustable to 0A-6A-8A-10A-13A)
  - Temperature monitoring
  - Sleep mode for reduced Stand-By consumption (about 1 W)
- Personal, line and overvoltage protection
  - DC leakage detection > 6 mA
- Enclosure
  - Enclosure made of AMELAN®
  - Cable entry from above, below and rear

# Assembly



1. Upper housing
2. Housing base
3. LED-info bar
4. Cable entries from above, below and rear
5. Charging cable type 2

# Dimensions [mm]



# Technical data

<b>Item number</b>	<b>121001205</b>	
Rated voltage $U_N$ [V] AC $\pm$ 10%	230 / 400	
Rated frequency $f_N$ [Hz]	50	
Rated Current $I_{nA}$ [A]	16	
Max. backup fuse [A]	16	
Max. charging capacity mode 3 [kW]	3,7 / 11	
Rated current of charging point mode 3 $I_{nC}$ [A]	16 – 1ph / 3ph	
Terminal strip supply line	Nominal cross section	5 x 6 mm <sup>2</sup>
	Rated cross section	rigid 5 x 6 mm <sup>2</sup> flexible 5 x 4 mm <sup>2</sup>
	Tightening torque	max. 0,8/ 1,8 Nm
Rated insulation voltage $U_i$ [V]	500	
Rated impulse withstand voltage $U_{imp}$ [kV]	4	
Rated short circuit current $I_{cc}$ [kA]	10	
Rated diversity factor RDF	1	
Earth system	TN / TT (IT only permitted under certain conditions, see operating manual)	
EMC classification	B	
Protection class	II	
Degree of protection	IP 44 : device protection rating IP 54 : housing protection rating	
Overvoltage category	III	
Resistance to mechanical impact	IK 10	
Pollution degree	3	
Setting up	indoor or outdoor	
Condition of installation	stationary equipment	
Usage	ACSEV	
Mounting method	wall mounted	
Dimensions H x W x D [mm]	361 x 207 x 146	
Cable entry	top, bottom, rear	
Weight [kg]	4,7	
Standard	DIN EN 61851-1, DIN IEC / TS 61439-7	

<b>Environmental conditions</b>	
Ambient air temperature	-25...+40 °C
Average temperature within 24 hours	< 35 °C
Altitude	Max. 2000 m above sea level
Relative humidity	Max. 95 % (non-condensing)

**Distributed in the UK exclusively by:**

**Drivenergy Ltd**  
The Innovation Centre  
Trevenson Road  
Pool  
REDRUTH TR15 3PL

**Phone: 0800 242743**  
**info@drivenergy.uk**

**www.drivenergy.uk**

**MENNEKES**

Elektrotechnik GmbH & Co. KG

Aloys-Mennekes-Straße 1  
57399 KIRCHHUNDEM  
GERMANY

Phone: + 49 2723 41-1

Fax: + 49 2723 41-214

info@MENNEKES.de

**www.MENNEKES.de**

[www.chargeupyourday.de](http://www.chargeupyourday.de)